



Scissor Alignment Lift Equipment



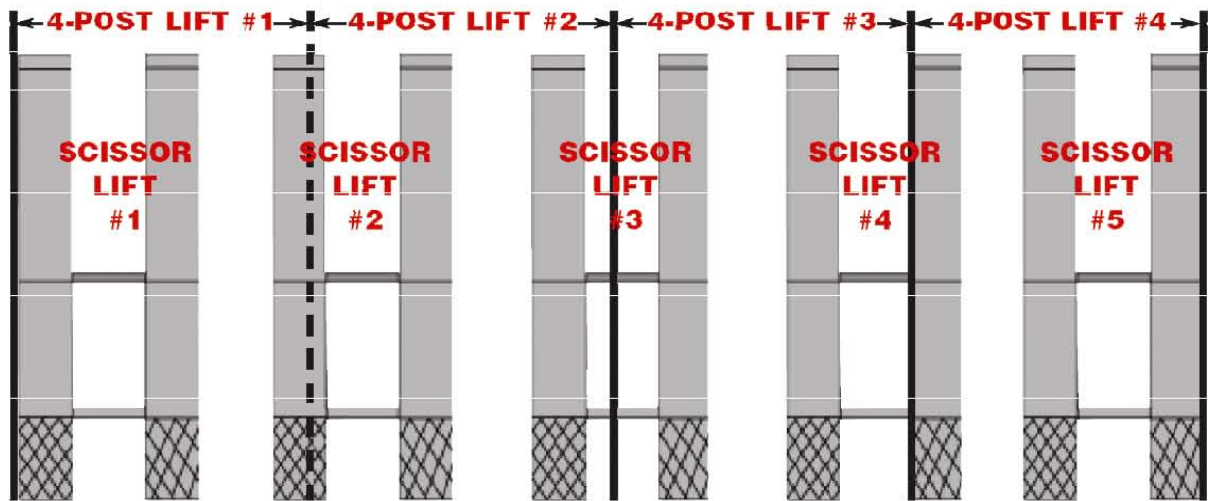
48109B

Starts Lower – Lifts Higher – Uses Less Space

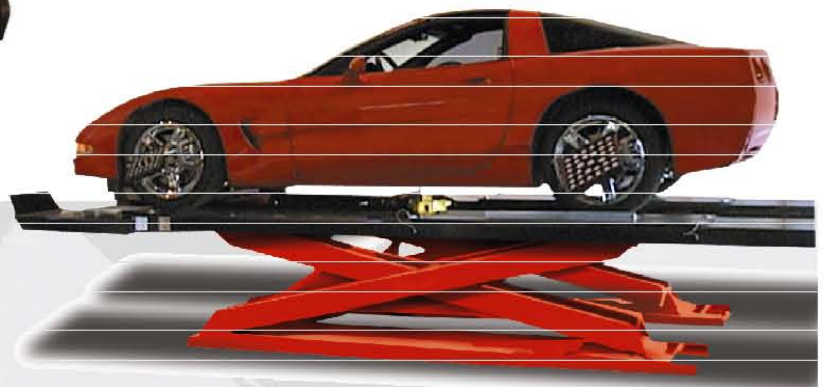


Get The Most Effective Use Out Of Your Service Bay Space

Five Scissor Lifts in the Same Space as Four 4-Post Lifts



Get maximum productivity out of your available bay space with the use of John Bean's Scissor lifts. Scissor lifts also lift straight up and down for better front to rear space utilization as well.



FULLY ALIGNMENT EQUIPPED

- Multi-position nylon polyethylene rear slip plates with glass delrin bearings for improved wear and better serviceability
- Cutouts for optional turnplates



Full Floating 65" Rear Slip Plates

Scissor Alignment Lift

The Right Lift For The Right Job

- Heavy duty 4 tons (9,000 lbs) lifting capacity.
- Smooth upward and downward movements.
- Starts lower: 222 mm (8.75") drive-on height for low profile vehicles.
- Lifts higher: 1830 mm (72") full height for stand-up comfort during alignment adjustment.
- Wide 610 mm (24") runways and long 1650 mm (65") rear slip plates for maximum alignment capability on vehicles.
- Open center front and rear for optimum under-car servicing accessibility.
- No chains or cables to wear out – hydraulic synchronization.
- Power unit is free standing.
- Long approach ramps allow gentle drive-on for low-profile vehicles.
- Two different safety mechanisms for operator protection:
 - Hydraulic velocity fuses on both cylinders to prevent accidental lift drop.
 - Visual / audible mechanical safety locks engage automatically as lift goes up.



OPTIONAL ACCESSORIES



Optional EAK0277J55A
Premium Turntable



Paddle Kit
EAK0277J28A



Dust Cover Kit
EAK0277J57A

JBC ROLER JACKS

JBC's complete line of air/hydraulic rolling air jacks are versatile, durable and optimize the profitability of any lift. A low profile design eliminates the need to swing away when lift is lowered. A high lifting height enables more access for under-car repairs. Interchangeable adapters make lifting fast for brake work and tire service on passenger cars, light trucks and vans. Easy to maintain and built to last.





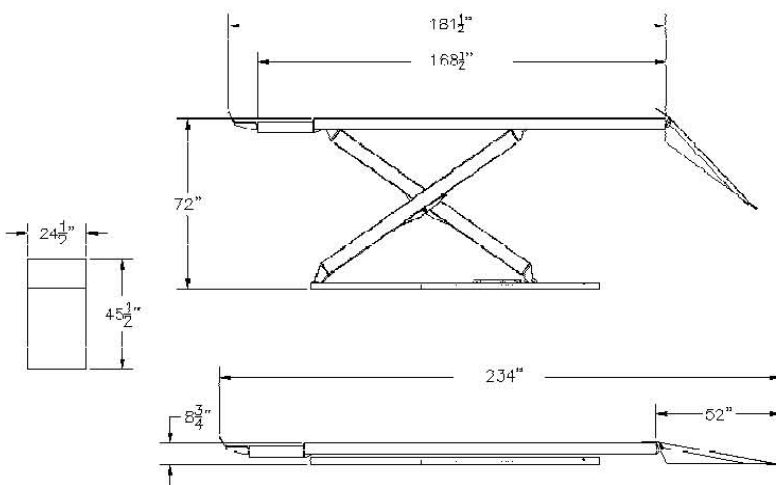
Scissor Alignment Lift



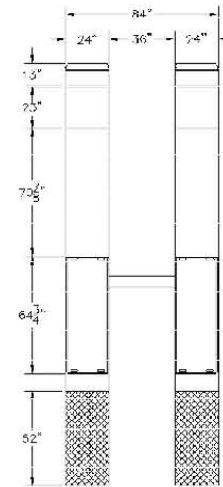
48109B

SPECIFICATION

Lift Time	Level Height	Max. Wheelbase	Lifting Capacity	Overall Width	Runway Width	Overall Length	Raised Height	Lowered Height	Power Requirements
60 sec	7	3657 mm (144")	4 Tons (9,000 lbs.)	2133 mm (84")	610 mm (24")	5943 mm (234")	1830 mm (72")	222 mm (8 3/4")	380~415V, 3PH, 50/60 Hz * Other Power Options Available



Model 48109B



Model 48109B Top View